

Canon

Digital Microprinter 500

The new standard in operator control

Whether you're doing an archive search, converting microfilm to digital or printing an extensive document set, nothing will reduce operator fatigue more than the DMP500's powerful controller. Ergonomically designed for maximum comfort, it ensures peak productivity when performing continuous operations over extended periods of time. Trim or mask documents on-screen, enjoy motorized zoom, rotation and focus control—whatever you choose, intuitive controls get the job done fast.



A whole new level of operating efficiency

From microfilm retrieval and printing to digital scanning,

the CANON DMP500 gives you the power to handle all your document requirements — fast.

Its ergonomic external controller makes every operation pleasant and easy, plus unprecedented user comfort means higher efficiency, especially with large jobs performed continuously over extended periods.

What's more, interchangeable microfilm carriers for every format and powerful options like the FS Controller III boost your productivity even higher.

Perfect as an independent unit or as part of an integrated computer network, the DMP500's superior control is the key to taming today's information jungle, with ease.



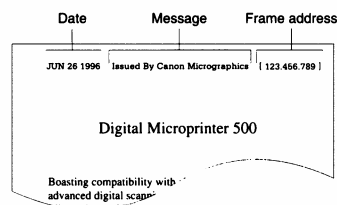
Faster access — the key to higher productivity

Superior printing capabilities

High-quality 400dpi laser prints are just the beginning. Automatic positive printouts from both negative and positive film, border erasure with frame protection and a handy time/date/message print are just three of the DMP500's advanced features.



and positive film, border erasure with frame protection and a handy time/date/message print are just three of the DMP500's advanced features.



Border Erasure



Framing



Without Border Erasure



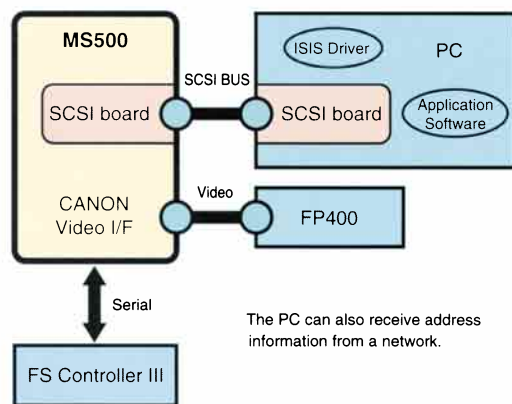
Border Erasure Type I



Border Erasure Type II

Designed for easy integration into larger systems

With the addition of a SCSI interface board the DMP500 can be linked to your computer to create a Computer Assisted Retrieval (CAR) system—for the combined benefits of a computer database and microfilm storage especially suited to large volume users. In addition, image data can be transmitted to your computer for greater possibilities including fax transmission and further system expansion.



possibilities including fax transmission and further system expansion.



FS Controller III

Standard film carriers for every format

Whether you're using 16mm open reels or cartridges, 35mm open reels, fiche, jackets, aperture cards, or fiche and reel media simultaneously, dedicated CANON carriers for every format ensure maximum print and search efficiency. And for lightning-fast retrieval from 16mm film cartridges, there's no greater time-saver than the optional FS Controller III, our most advanced high-speed search tool.



FS Controller I

AC100M

AC100C

AC100R

FC190R II

Specifications of Microfilm Scanner 500

Type	Desktop digital microfilm scanner
Film	Both negative and positive images of silver or diazo film
Screen	300mm high x 300mm wide
Image scanning	Digital scanning at 400dpi
Image rotation/Focusing/Zooming	Motorized
Exposure control	Automatic or manual
Multiprint	Preset up to 99 prints
Print border and background erasure	Automatic. Two modes provided: With a frame and without a frame
Date/Message print	Date: Day, time, date, month, and year Message: Up to 33 alphanumeric characters
Setup and function on/off	Made by user

Other print features

Image polarity detection	Automatic/manual
Trimming	Available
90-degree image rotation	Available
Sharpness adjustment	Made by user

Light source	20V, 150W halogen lamp
Electrical requirements	120V, 60Hz: 4A 220V - 240V, 50Hz: 1.7A

Options	Interchangeable lenses: – Single lens: X7 – Zoom lens: X9.5 - X16, X16 - X32, X30 - X55, X20 - X48 Framing kit for trimming print
---------	---

Dimensions (H x W x D)	Main unit: 668mm x 442mm x 541mm Remote keyboard: 45mm x 265mm x 180mm
------------------------	---

Weight	Main unit: 27kg Remote keyboard: 0.8kg
--------	---

Specifications of Fileprint 400

Type	Non-impact page printer
Print speed	Max. 9 A4/Letter-size pages per minute
Max. print size	A3/Ledger
Warm-up time	Less than 9 seconds (standard configuration)
Time for first print	Approx. 16 seconds
Dot pitch	Horizontal: 400 dots per inch Vertical: 400 dots per inch
Output staker	250 sheets face down
Electrical requirements	100V - 120V, 50/60Hz: 380W 220V - 240V, 50Hz: 380W
Dimensions (H x W x D)	300mm x 490mm x 502mm
Weight	23kg without toner cartridge

Canon

CANON ELECTRONICS INC.

1248, Shimokagemori, Chichibu-shi, Saitama 369-1892, Japan

CANON U.S.A. INC.
New York Office/Headquarters: One Canon Plaza, Lake Success, NY 11042, U.S.A. Tel: (516) 328-5000

CANON CANADA, INC.
Toronto Office/Headquarters: 6390 Dixie Road Mississauga, Ontario L5T 1P7, Canada Tel: (905) 795-1111

CANON EUROPA N.V.
Bovenkerkerweg 59-61, P.O. Box 2262, 1180 EG Amstelveen, The Netherlands Tel: (020) 545-8545

CANON LATIN AMERICA, INC.
6505 Blue Lagoon Drive, Suite 325, Miami, Florida 33126, U.S.A. Tel: (305) 260-7400

CANON AUSTRALIA PTY. LTD.
1 Thomas Holt Drive, North Ryde, Sydney, N.S.W. 2113, Australia Tel: (02) 9805-2000

CANON SINGAPORE PTE. LTD.
79 Anson Road #09-01/06, Singapore 079906 Tel: 532-4400

CANON HONGKONG COMPANY LTD.
10/F, Lippo Sun Plaza, 28 Canton Road, Tsimshatsui, Kowloon, Hong Kong Tel: 2739-0802